



# Ningbo Realpower Magnetic Industry Co.,Ltd.

## SINE CHUCK MCC SERIES

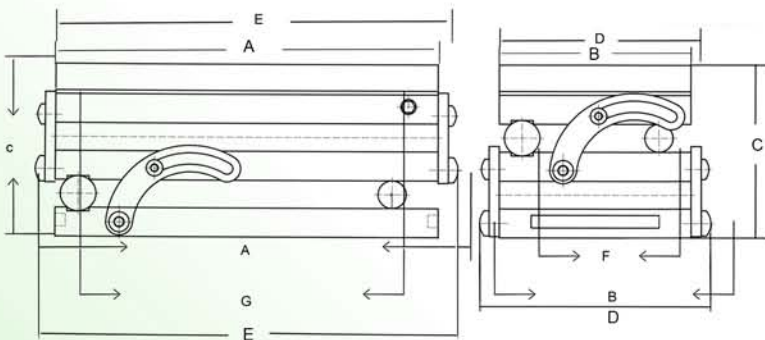
Compound Angle Permanent Magnetic Sine Table

### Features:

- Positive locking at all angles without any distortion. Large effective area is provided for machining the work pieces. Constructed of hardened alloy tool steel. Double way sine plate; can grind two way angle at the same time. Angle precision-0.007/100mm.

### Applications:

- Flat type for wide range of uses. Ideal for high accuracy grinding operation. Suitable for high precision angle grinding on a mould grinding machine and so on. Wide range of work pieces can be used by tilting in length, breadth or compound angle.



### Specifications

Art No.	A (mm)	B (mm)	C(mm)	D (mm)	E (mm)	Pole Pitch	Angle
MCC1025	250	104	150	139	285	2(1.5+0.5)	0°-50°
MCC1250	250	125	150	200	285	2(1.5+0.5)	0°-50°
MCC1530	300	150	150	185	335	2(1.5+0.5)	0°-50°
MCC1535	350	150	150	185	385	2(1.5+0.5)	0°-50°
MCC1545	500	150	150	185	535	2(1.5+0.5)	0°-50°
MCC2250	500	225	150	260	535	2(1.5+0.5)	0°-50°

•Other size on request.