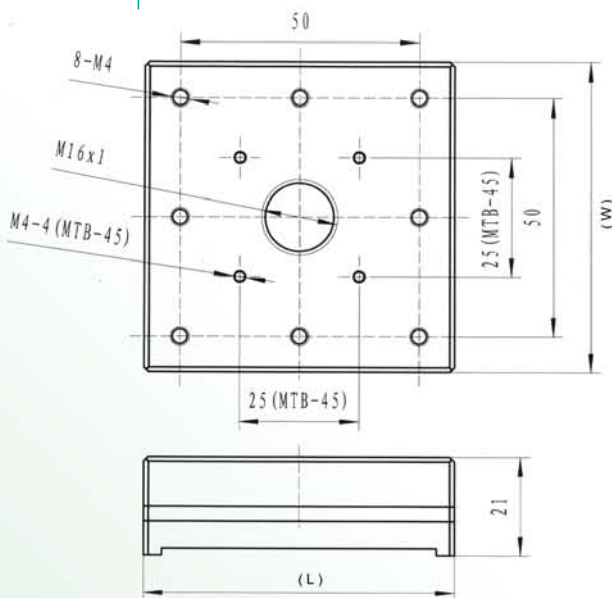
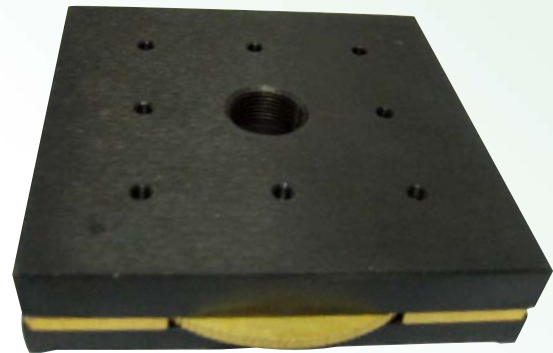




Ningbo Realpower Magnetic Industry Co.,Ltd.

METER BASE MTB SERIES

Fine Pole Rectangular Magnetis Chuck



Application

An ideal accessory for optical tables and breadboards.

Reduces experimental set-up time by allowing free positioning and instant clamp down of optical components.

Switchable ON / OFF magnetic circuit permits fine adjustment and precise positioning.

Features

- Easy ON-OFF operation using the lever.
- Thin and powerful magnetic force.
- Generous array of tap holes.

| Model | Holding Power* | Dimension(mm) | | | Mounting Hole | Mass |
|--------|----------------|---------------|--------|--------|-------------------------|-------|
| | | Width | Lenght | Height | | |
| MTB-45 | 65N(6.5kgf) | 45 | 45 | 20 | 4-M4 Depth 6 Span 25 | 0.3kg |
| MTB-65 | 200N(20kgf) | 65 | 65 | | 8-M4 Depth 6 | 0.6kg |
| MTB-90 | 200N(20kgf) | 90 | 90 | | Span 25 | 1.2kg |

※ The holding power applies to SS400, thickness 25 mm and ground surface.